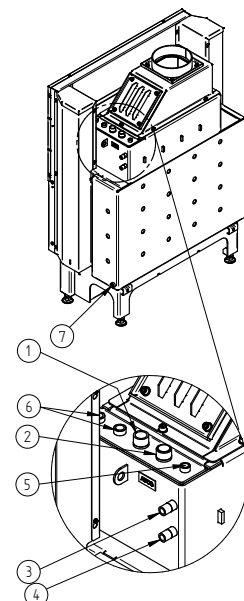


## Technical data

	operation when directly connected to chimney	
	HAKA 89/45Wh	HAKA 89/45Wh+
Energy label	<b>A+</b>	<b>A+</b>
<b>Operating data</b>		
Nominal heat power / Power absorbed to water	14 / 10,2 kW	22 / 15,1 kW
Efficiency	> 80 %	> 80 %
Consumption of wood	3,7 kg/h	6 kg/h
Mass flow of flue gas	10,6 g/s	17 g/s
Required chimney pressure	12 Pa	12 Pa
Required amount of combustion air	35 m <sup>3</sup> /h	55 m <sup>3</sup> /h
<b>Average flue gas temperature</b>		
on the output	214 °C	240 °C
<b>Heat distribution</b>		
fireplace insert	9 %	11 %
door glass (single / double)	0 / 19 %	0 / 21 %
water	72 %	68 %
<b>Water exchanger specifications</b>		
Maximum working pressure	2,5 bar	2,5 bar
Minimum return water temperature	60 °C	60 °C
Water capacity	56 liters	56 liters
Connection input / output	1" / 1"	1" / 1"
<b>Information for builds</b>		
Minimal grill area supply / outgoing (with vent. grill)	300 / 350 cm <sup>2</sup>	500 / 600 cm <sup>2</sup>
Minimum radiant area <sup>3</sup> (without vent. grill)	suitable	suitable
Minimum distance from insulated areas / floor	20 / 0 mm	40 / 0 mm
Reference insulation <sup>1</sup> ceiling / back wall / side wall / floor	100 / 60 / 60 / 0 mm	100 / 60 / 60 / 0 mm
Calciumsilicate insulation <sup>2</sup> ceiling / back wall / side wall / floor	75 / 45 / 45 / 0 mm	75 / 45 / 45 / 0 mm
<b>General technical information</b>		
Total weight / lining weight	circa 435 / 120 kg	circa 435 / 120 kg
Burning chamber dimensions (width x depth)	810 x 315 mm	
Combustion air connection	Ø 125 mm	Ø 150 mm
Use in non-ventilated accumulation builds according to craft rules	suitable <sup>4</sup>	
Tested according to	EN 13229	
Meets values	1. BlmSchV (Stufe2), 15a BVG	

Nr.	Thread size	Description
1	G 1" (AG)	Water supply from heating system - min. 60 °C
2	G 1" (AG)	Hot water supply to heating system
3	G 1/2" (AG)	Water supply from the waterlines into the cooling loop
4	G 1/2" (AG)	Discharge of water from the cooling loop into the waste
5	G 3/8" (IG)	Pocket for air vent valve
6	G 1/2" (IG)	Pocket for thermal sensors
7	G 1/2" (IG)	Pocket for emptying

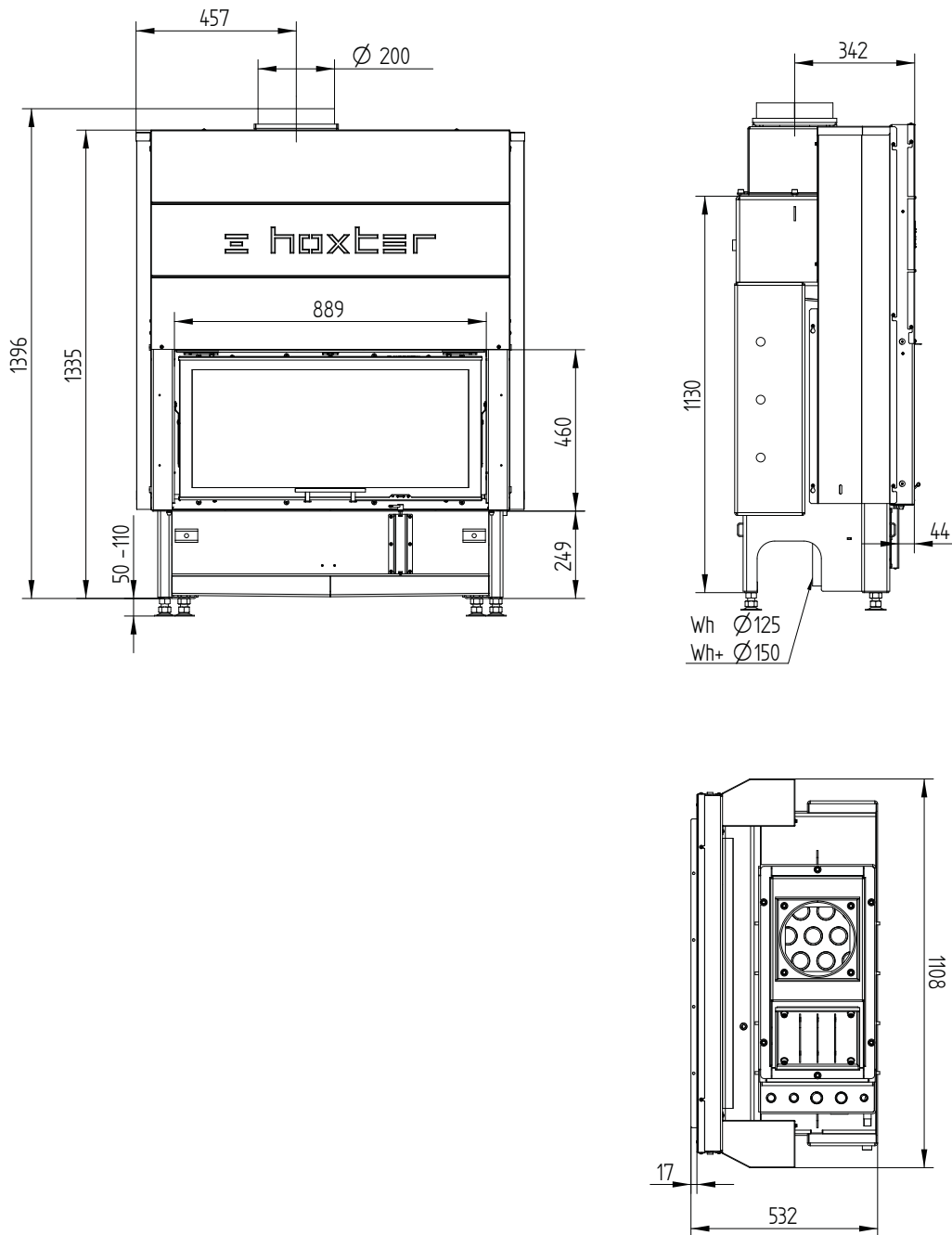
- 1 Mineral wool according to AGI-Q 132
- 2 Example SkamoEnclosure Board 225 kg/m<sup>3</sup>
- 3 Depends on accumulation period and material characteristics. Listed values calculated with average specific heat output = approx. 500 W/m<sup>2</sup>
- 4 With regard to the inspection capability and maximum ambient temperatures of the external switching devices (e.g. TAS/SV)



# HAKA 89/45Wh

Technical data  
Version 09/2023

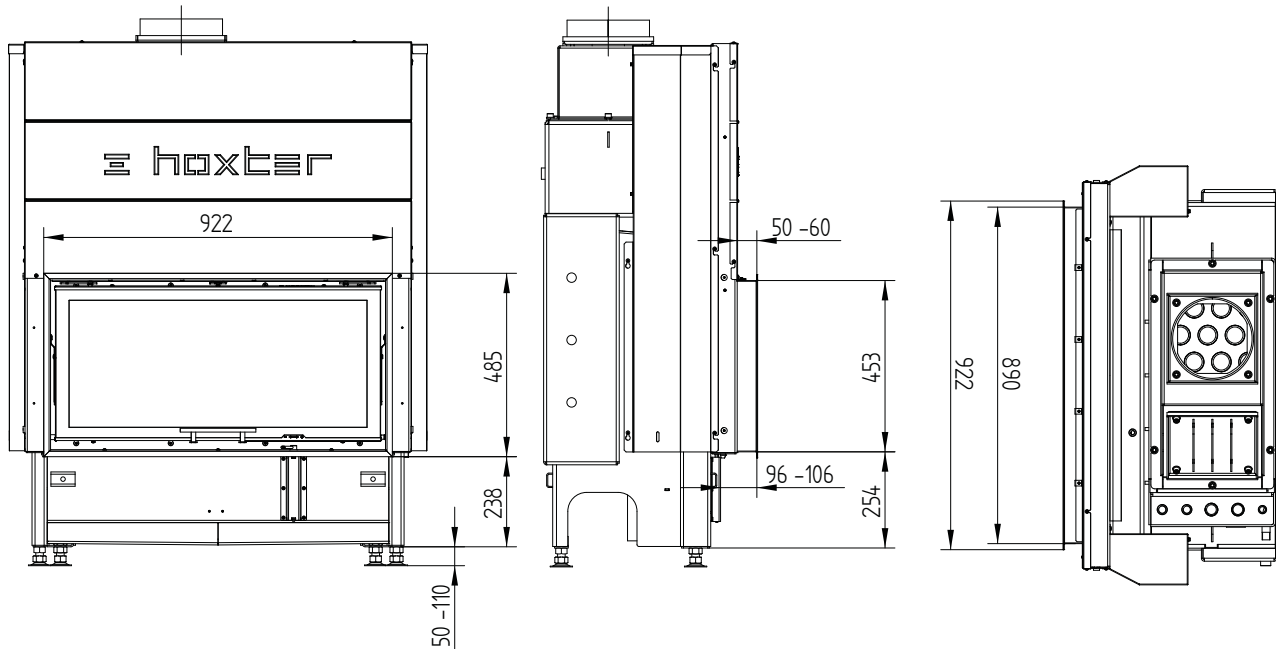
HAKA 89/45Wh liftdoor, HAKA 89/45Wh liftdoor extra power+



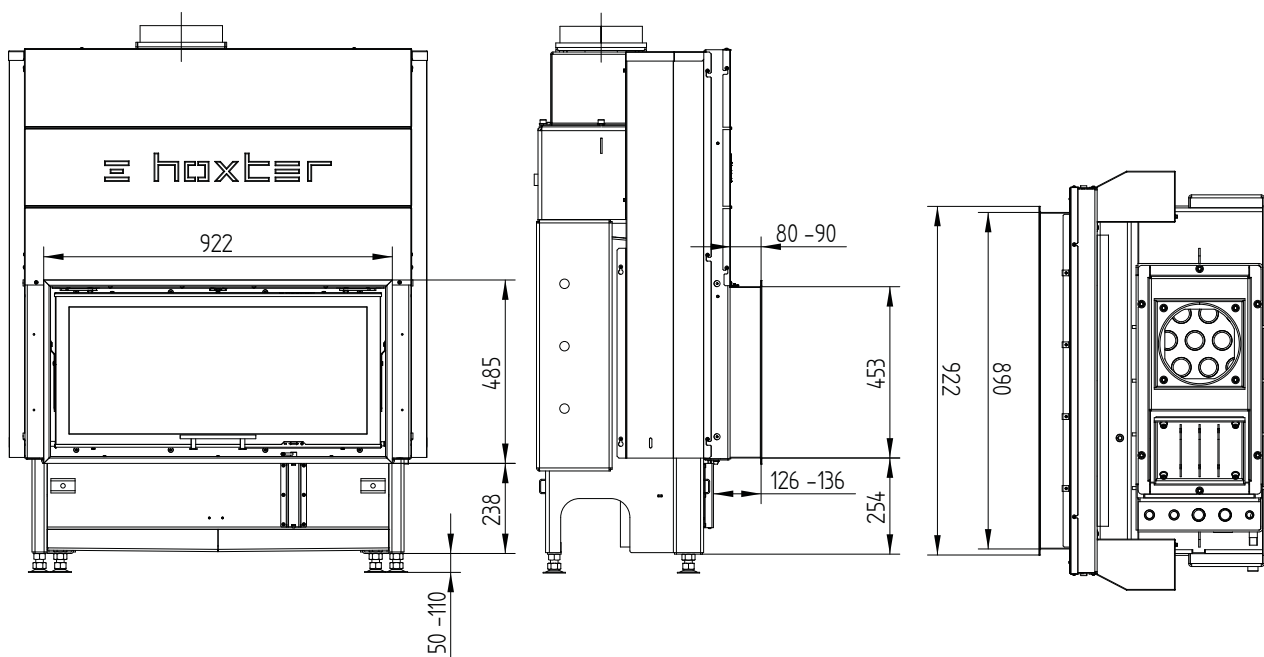
# HAKA 89/45Wh

Technical data  
Version 09/2023

Cover frame 89/45h liftdoor 4sides 50 mm 1 x 90°



Cover frame 89/45h liftdoor 4sides 80 mm 1 x 90°

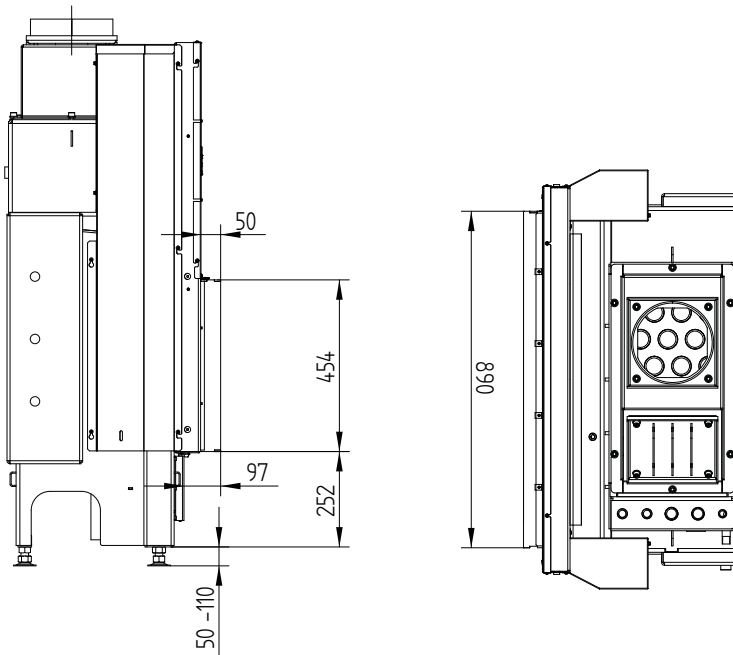


# HAKA 89/45Wh

Technical data  
Version 09/2023

## Build-on frame 89/45h liftdoor 4sides 50 mm

---



# HAKA 89/45Wh

Technical data  
Version 09/2023

Build-on frame 89/45h liftdoor 4sides 80 mm

