

Technical data

Technical data	operation when directly connected to chimney
Energy label	A+
Operating data	
Nominal heat power	14 kW
Efficiency	> 80 %
Consumption of wood	4,1 kg/h
Total heat output of the burning chamber	----
Mass flow of flue gas	11 g/s
Required chimney pressure	12 Pa
Required amount of combustion air	35 m ³ /h
Average flue gas temperature	
on the output	263 °C
Heat distribution	
fireplace insert	51–59 %
door glass (single / double)	49 / 41 %
additional accumulation mass	----
Information for ventilated builds	
Minimal grill area supply / outgoing	1200 / 1400 cm ²
Minimum distance from insulated areas / floor	80 / 0 mm
Reference insulation ² ceiling / back wall / side wall / floor	120 / 0 / 80 / 0 mm
Calciumsilicate insulation ³ ceiling / back wall / side wall / floor	90 / 0 / 60 / 0 mm
Information for non-ventilated builds (closed grills)	
Minimum radiant area ⁴	suitable
Minimum distance from insulated areas / floor	80 / 20 mm
Reference insulation ² ceiling / back wall / side wall / floor	160 / 0 / 100 / 20 mm
Calciumsilicate insulation ³ ceiling / back wall / side wall / floor	120 / 0 / 75 / 20 mm
General technical information	
Total weight / lining weight	circa 420 / 100 kg
Burning chamber dimensions (width x depth)	1010 x 315 mm
Combustion air connection	Ø 150 mm
Use in non-ventilated accumulation builds according to craft rules	suitable
Tested according to	EN 13229
Meets values	BlmSchV (Stufe2), 15a BVG

1 Listed value from testing. For accurate results is evaluation of each system in the Ortner / KOV program necessary

2 Mineral wool according to AGI-Q 132

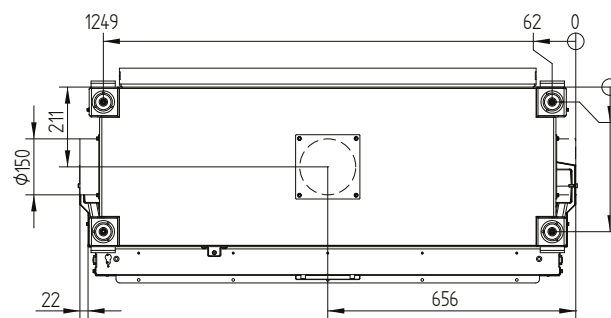
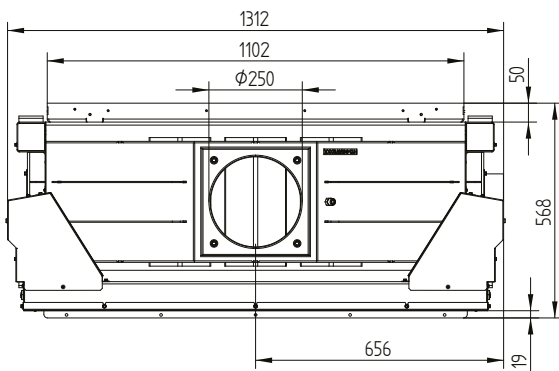
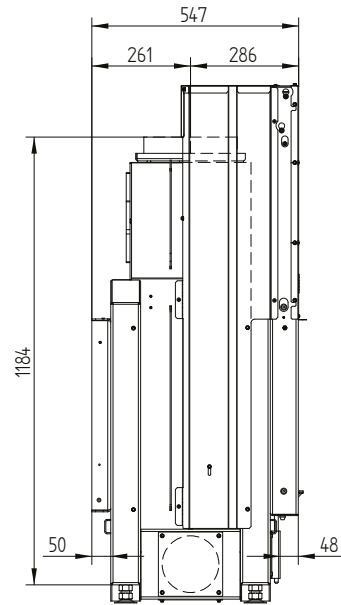
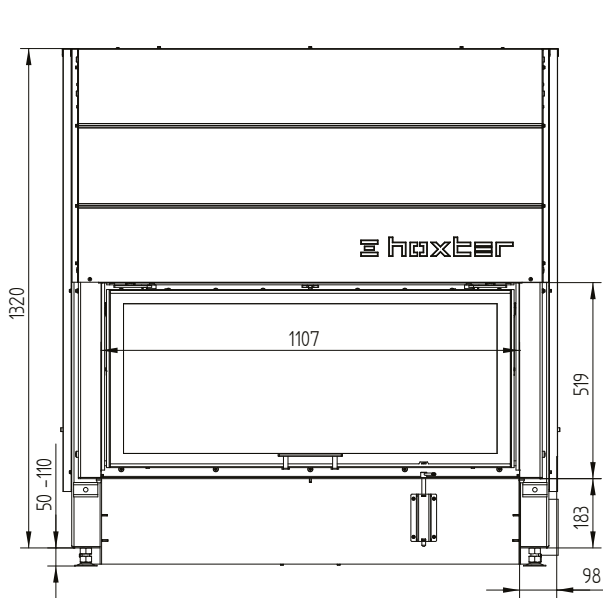
3 Example SkamoEnclosure Board 225 kg/m³

4 Depends on accumulation period and material characteristics. Listed values calculated with average specific heat output = approx. 500 W/m²

HAKA 110/51T

Technical data
Version 09/2023

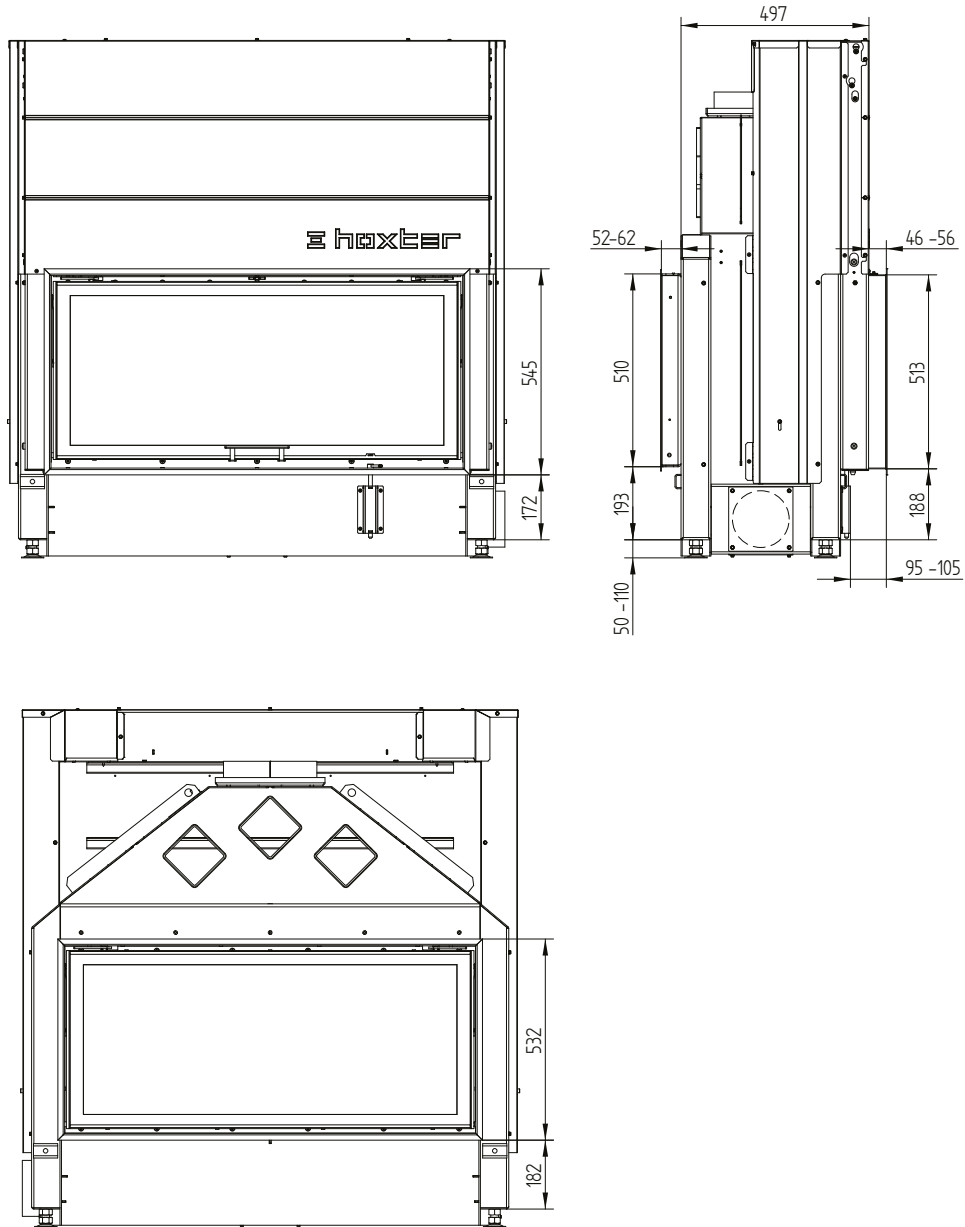
HAKA 110/51 tunnel / air inlet / feet



HAKA 110/51T

Technical data
Version 09/2023

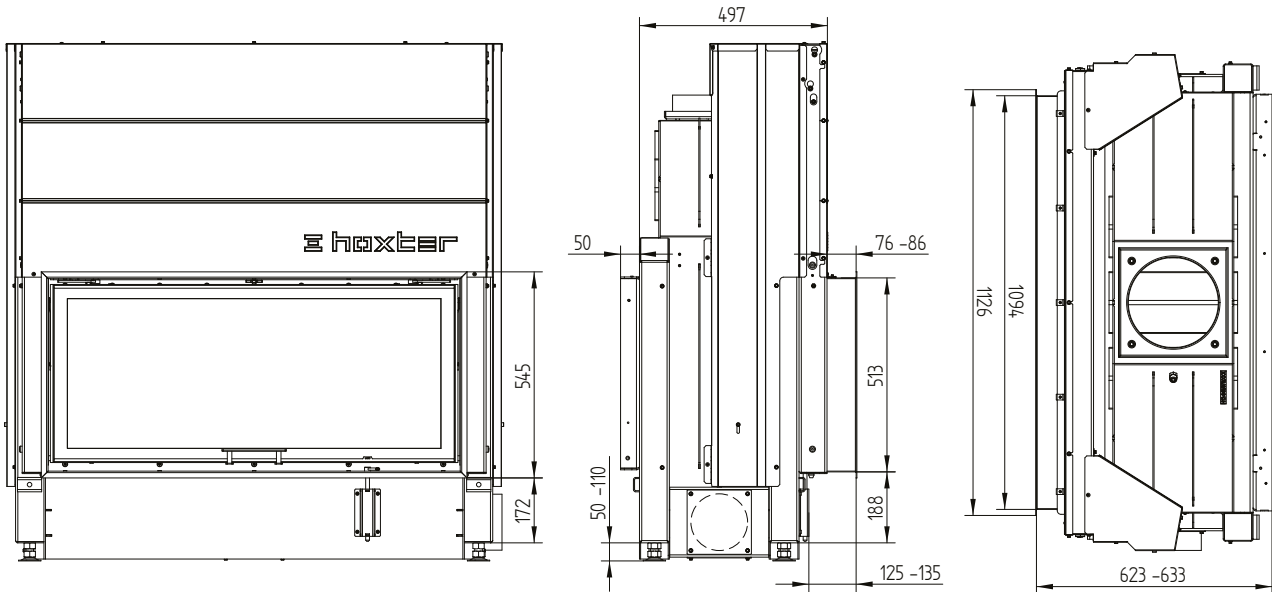
Cover frame 110/51 4sides 1 x 90°, 50 mm



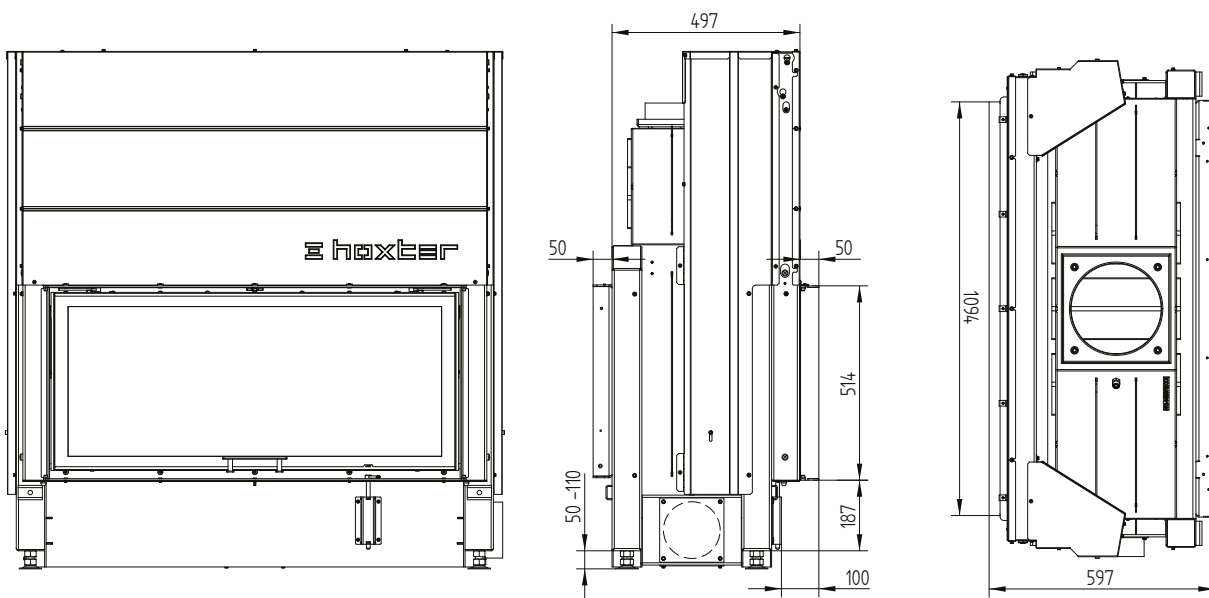
HAKA 110/51T

Technical data
Version 09/2023

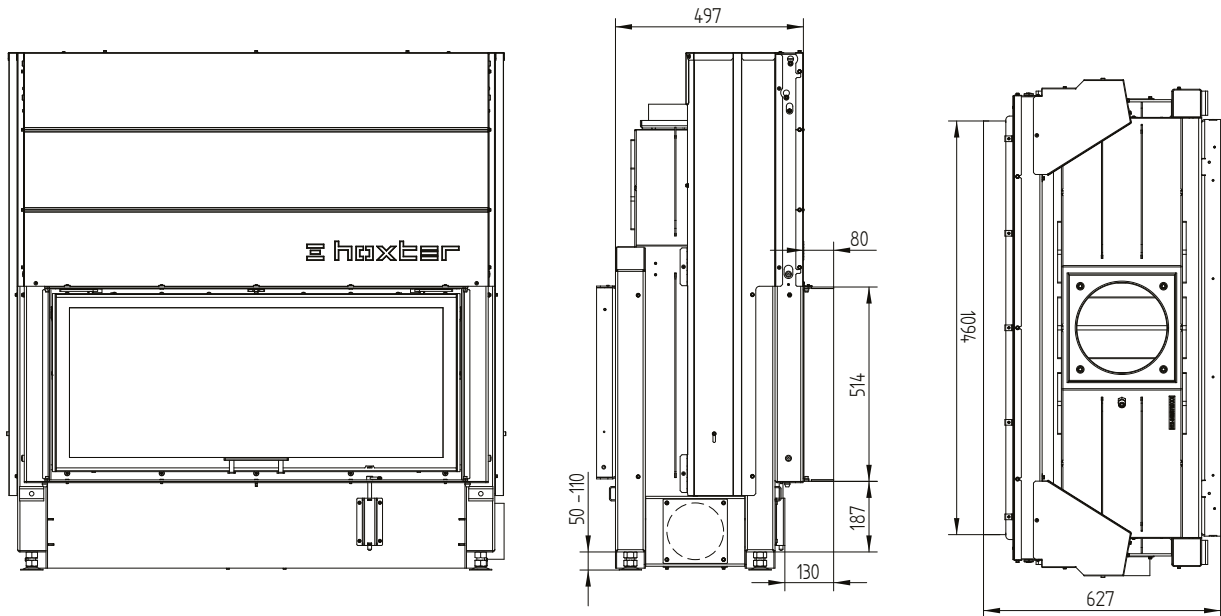
Cover frame 110/51 4sides 1 x 90°, 80 mm



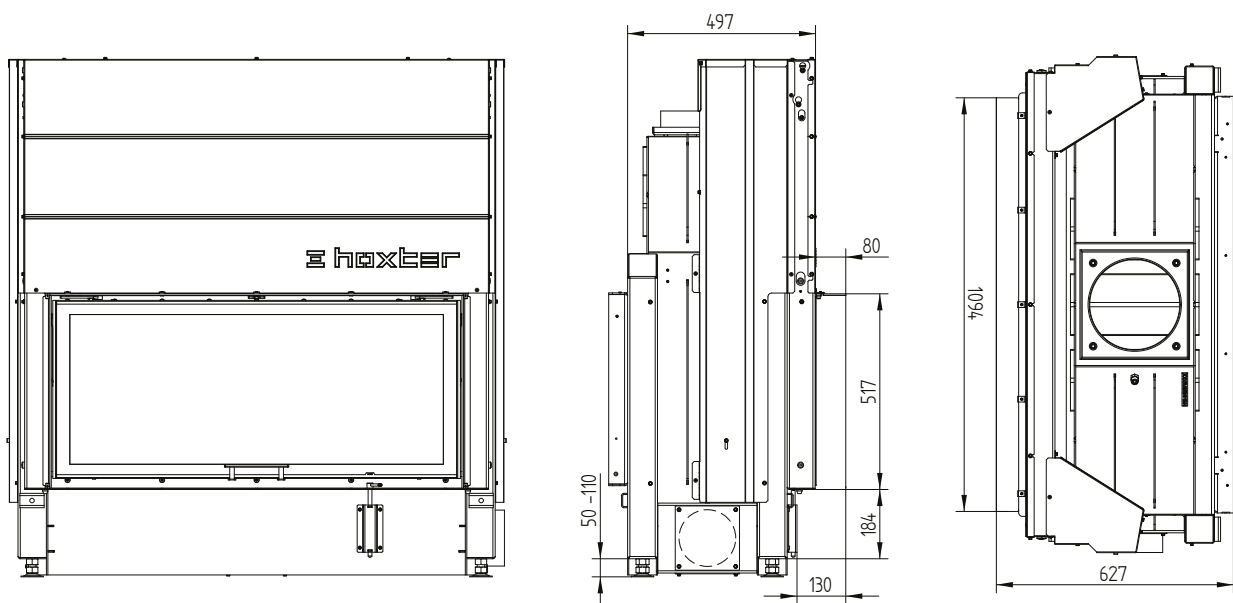
Build-on frame 110/51 4sides, 50 mm



Build-on frame 110/51 4sides, 80 mm



Build-on frame 110/51 3sides, 80 mm



HAKA 110/51T

Technical data
Version 09/2023

Convection jacket 110/51

