

Technical data	operation when directly connected to chimney	operation when connected accumulation mass
Energy label	A	A
<b>Operating data</b>		
Nominal heat power	13,5 kW	----
Efficiency	> 80 %	----
Consumption of wood	3,8 kg/h	5,5 kg
Total heat output of the burning chamber	----	22 kW
Average heat output / heat accumulation time <sup>5</sup>	----	2,2 kW / 8 h
Mass flow of flue gas	11,6 g/s	20 g/s
Required chimney pressure	12 Pa	12 Pa
Required amount of combustion air	35 m <sup>3</sup> /h	50 m <sup>3</sup> /h
<b>Average flue gas temperature</b>		
on the output	302 °C	376 °C
behind 3 m of ceramic accumulation system KMS 300 <sup>1</sup>	----	197 °C
<b>Heat distribution</b>		
fireplace insert	63–78 %	45 %
door glass (single / double)	37 / 22 %	37 / 22 %
additional accumulation mass	----	18–33 %
<b>Information for ventilated builds</b>		
Minimal grill area supply / outgoing	1200 / 1400 cm <sup>2</sup>	1200 / 1400 cm <sup>2</sup>
Minimum distance from insulated areas / floor	80 / 0 mm	80 / 0 mm
Reference insulation <sup>2</sup> ceiling / back wall / side wall / floor	120 / 80 / 80 / 0 mm	120 / 80 / 80 / 0 mm
Calciumsilicate insulation <sup>3</sup> ceiling / back wall / side wall / floor	90 / 60 / 60 / 0 mm	90 / 60 / 60 / 0 mm
<b>Information for non-ventilated builds (closed grills)</b>		
Minimum radiant area <sup>4</sup>	suitable	4,5 m <sup>2</sup>
Minimum distance from insulated areas / floor	80 / 20 mm	80 / 20 mm
Reference insulation <sup>2</sup> ceiling / back wall / side wall / floor	160 / 100 / 100 / 20 mm	160 / 100 / 100 / 20 mm
Calciumsilicate insulation <sup>3</sup> ceiling / back wall / side wall / floor	120 / 75 / 75 / 20 mm	120 / 75 / 75 / 20 mm
<b>General technical information</b>		
Total weight / lining weight	circa 421 / 137 kg	circa 421 / 137 kg
Burning chamber dimensions (width x depth)	1010 x 315 mm	
Combustion air connection	Ø 150 mm	
Use in non-ventilated accumulation builds according to craft rules	suitable	
Tested according to	EN 13229	
Meets values	BlmSchV (Stufe2), 15a BVG, NS 3059	

1 Listed value from testing. For accurate results is evaluation of each system in the Ortner / KOV program necessary

2 Mineral wool according to AGI-Q 132

3 Example SkamoEnclosure Board 225 kg/m<sup>3</sup>

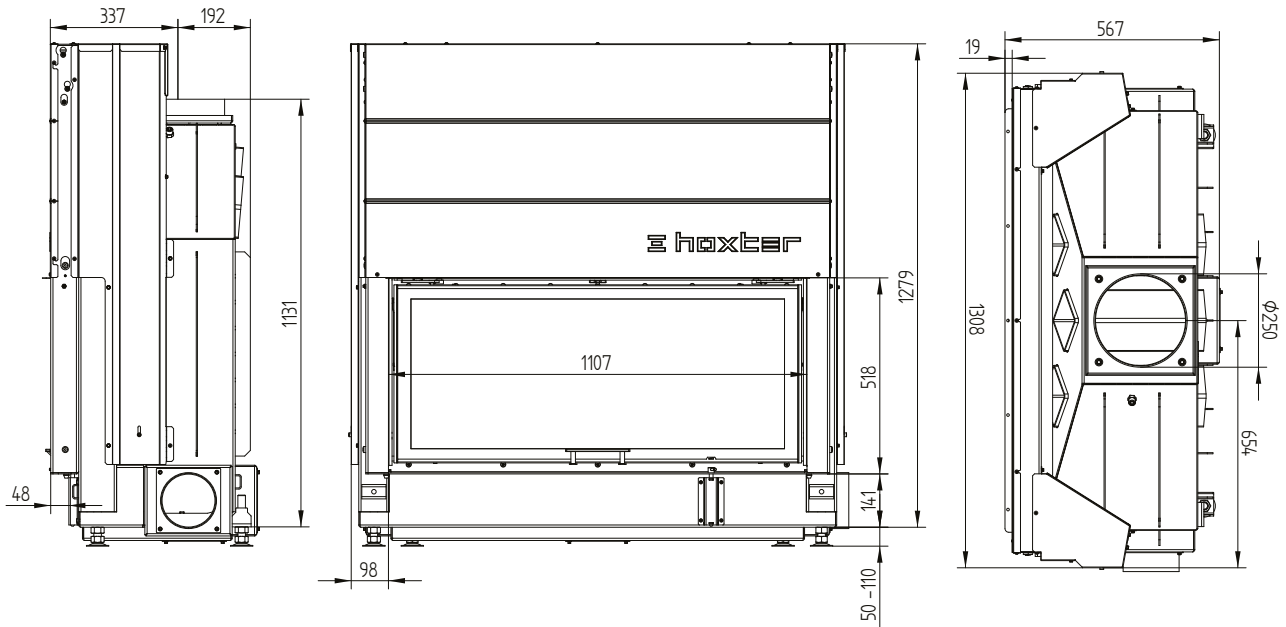
4 Depends on accumulation period and material characteristics. Listed values calculated with average specific heat output = approx. 500 W/m<sup>2</sup>

5 Storage operation, one wood charge for storage duration, with closed construction and efficiency > 80%

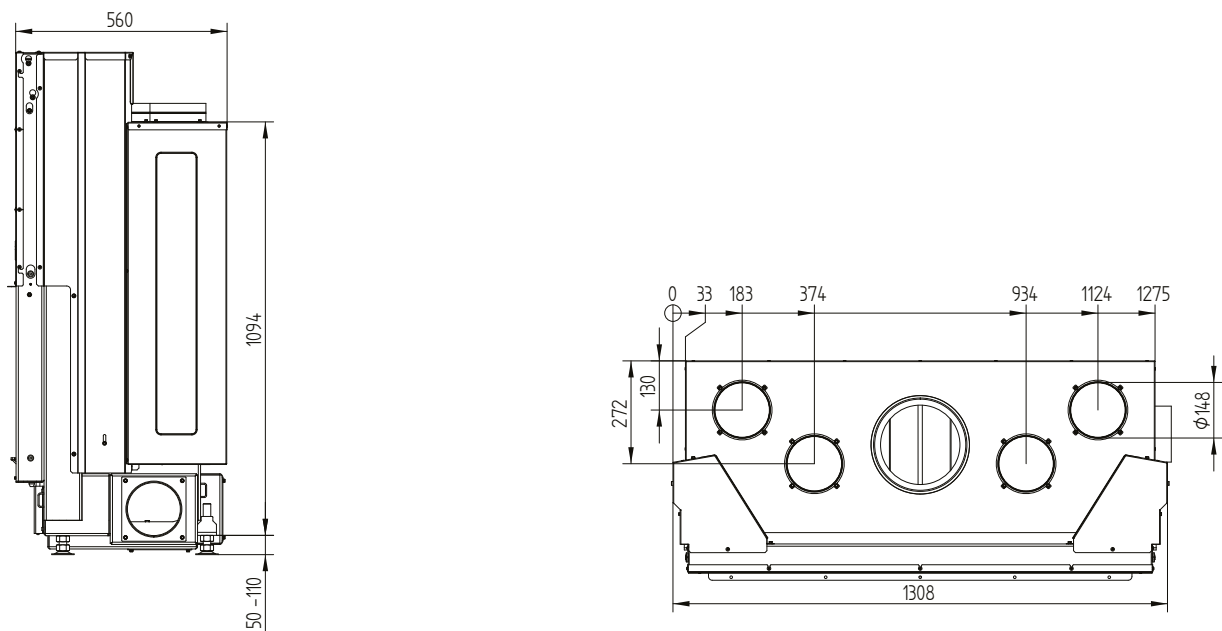
# HAKA 110/51h

Technical data  
Version 09/2023

## HAKA 110/51h liftdoor



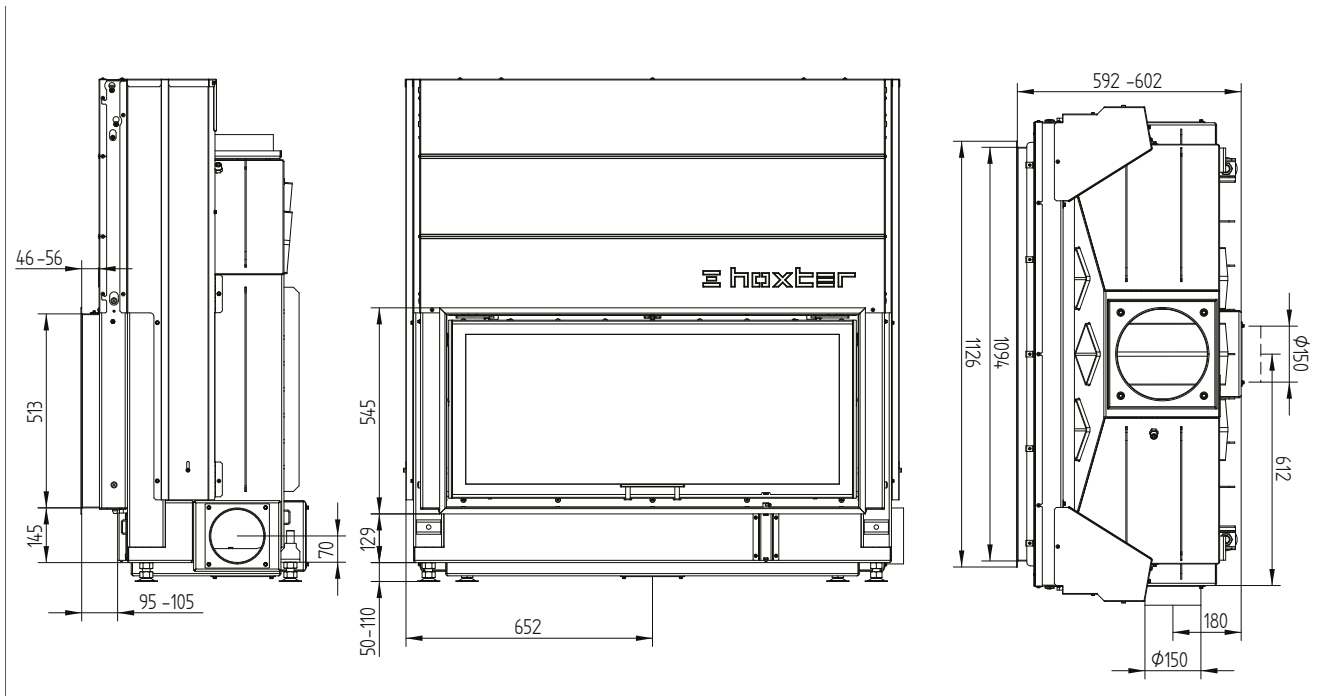
## Convection jacket HAKA 110/51h liftdoor



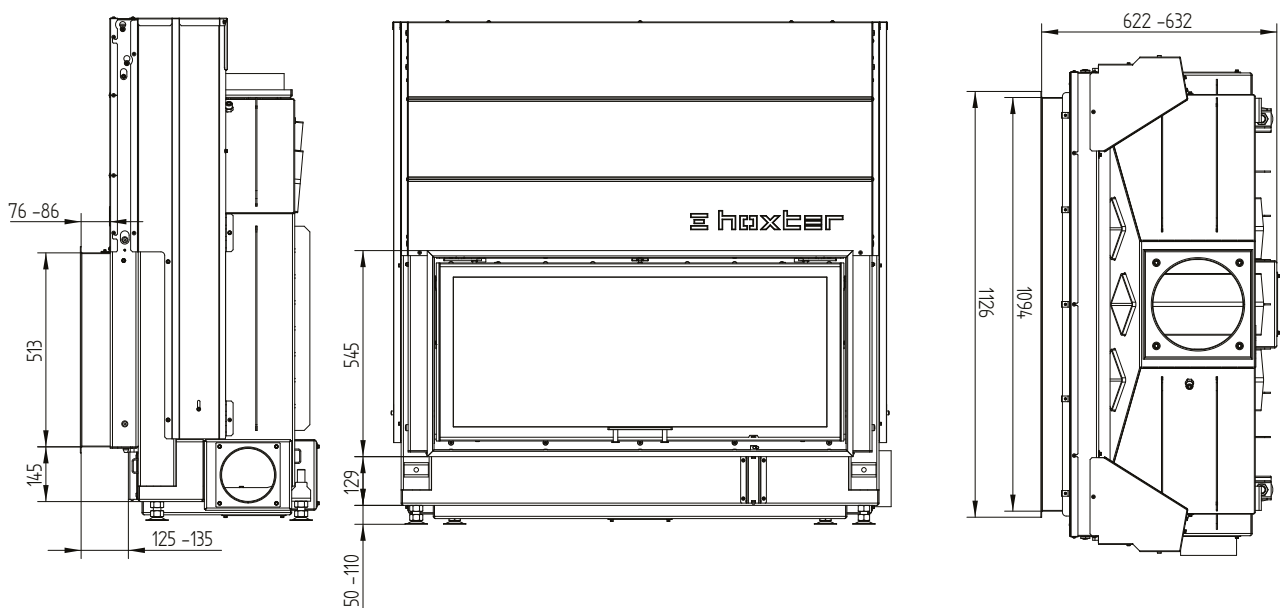
# HAKA 110/51h

Technical data  
Version 09/2023

## Cover frame 110/51h liftdoor 4sides 50 mm 1 x 90° / air inlet



## Cover frame 110/51h liftdoor 4sides 80 mm 1 x 90°

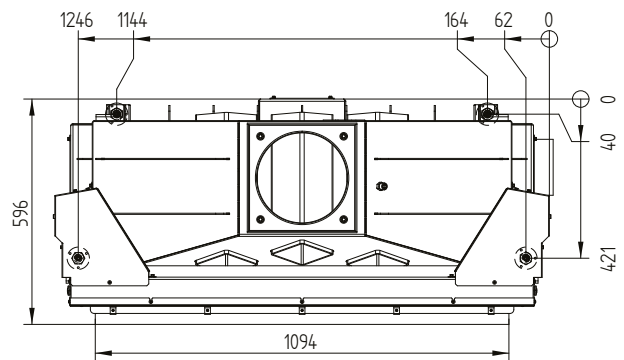
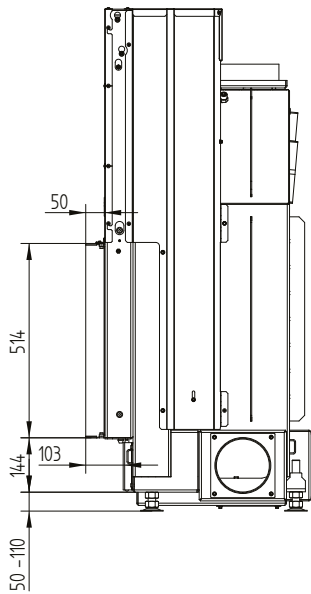


# HAKA 110/51h

Technical data  
Version 09/2023

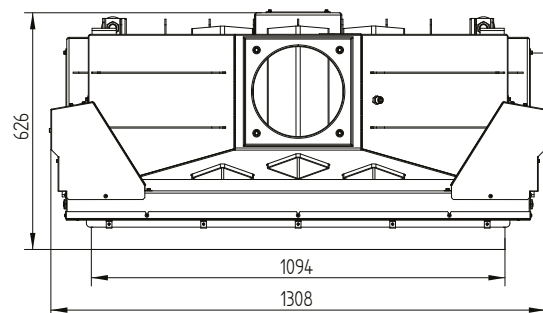
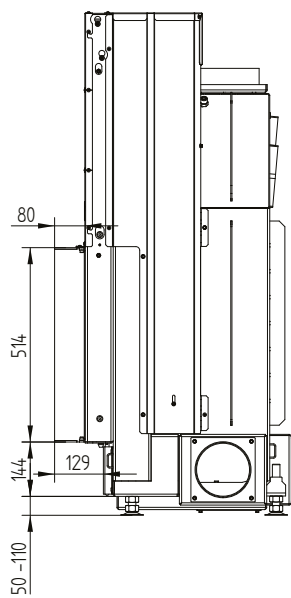
## Build-on frame 110/51h liftdoor 4sides 50 mm / feet

---



## Build-on frame 110/51h liftdoor 4sides 80 mm

---



# HAKA 110/51h

Technical data  
Version 09/2023

Build-on frame 110/51h liftdoor 3sides 80 mm

---

