

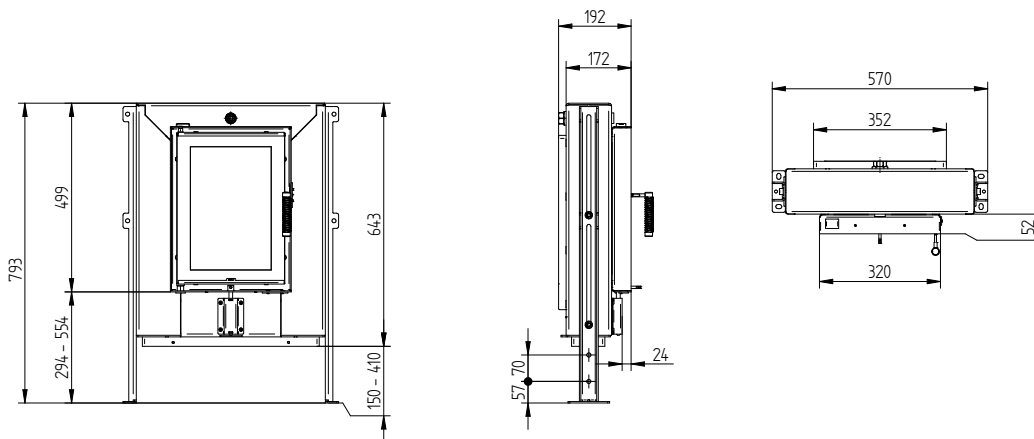
GT 32/44 15a

Technical data
Version 09/2023

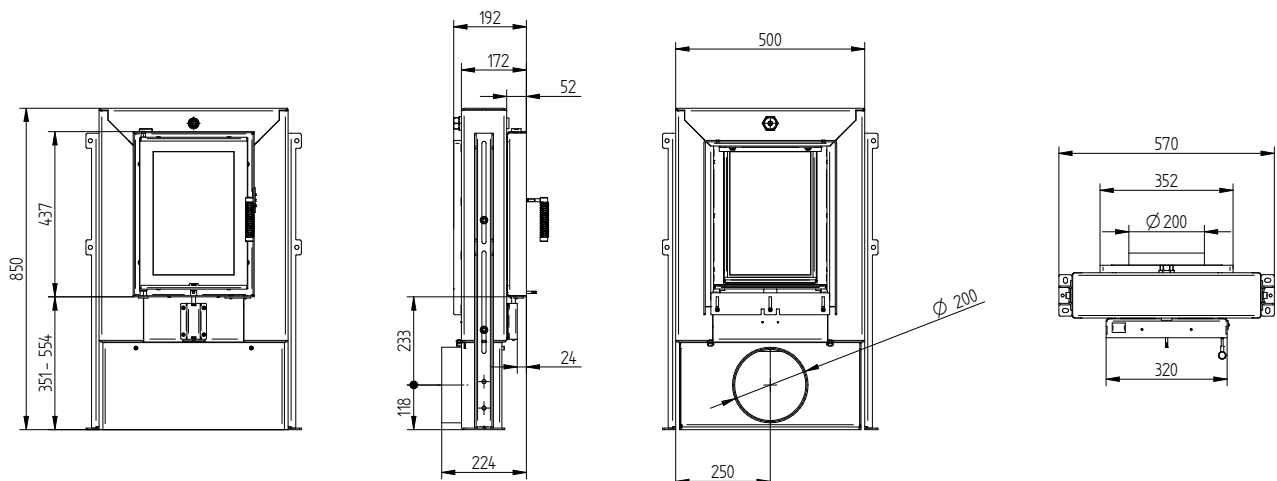
Technical data

General technical information	
Recommended wood load	10 kg
Cross section of combustion air opening	172 cm ²
Optional combustion air adapter	Ø 150 mm
Free glass area	782 cm ²

GT 32/44 15a with air control



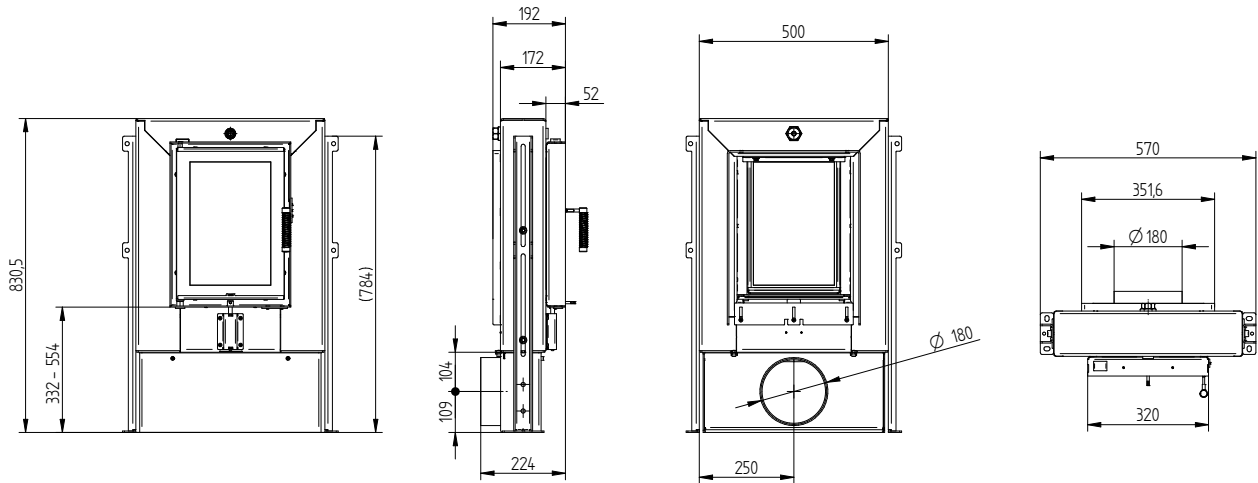
GT 32/44 15a without air control with external air connection Ø200 mm



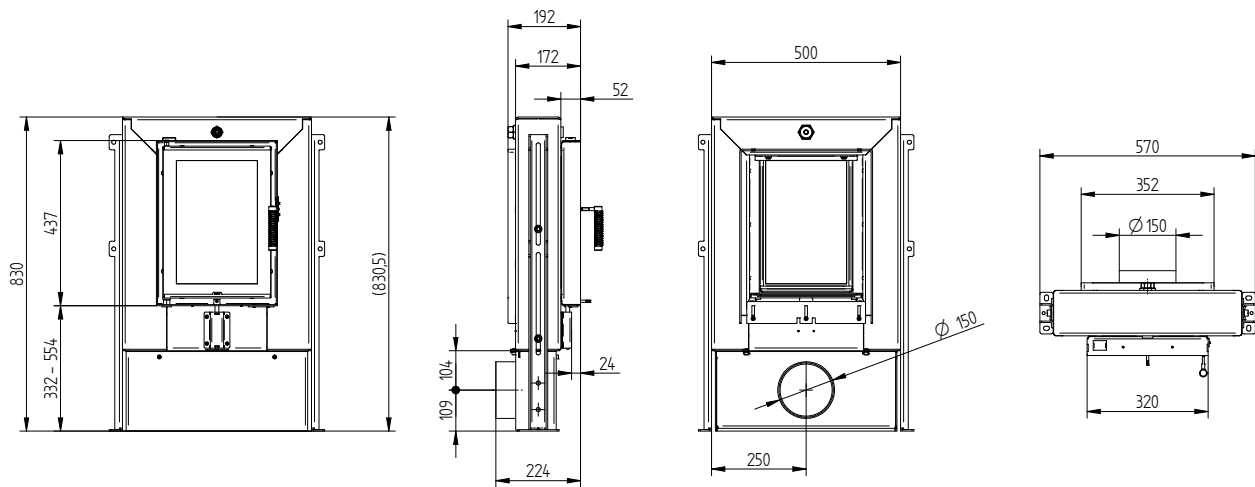
GT 32/44 15a

Technical data
Version 09/2023

GT 32/44 15a without air control with external air connection $\varnothing 180$ mm



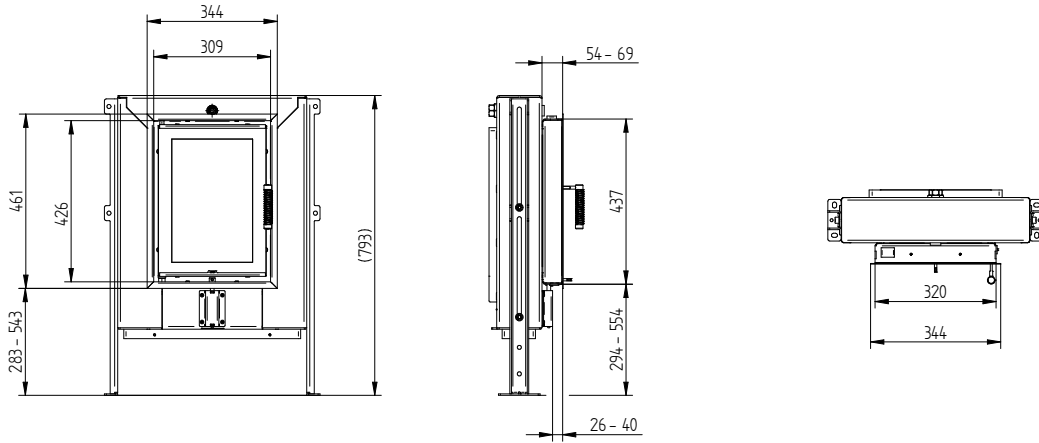
GT 32/44 15a with air control with external air connection $\varnothing 150$ mm



GT 32/44 15a

Technical data
Version 09/2023

Cover frame GT 32/44 15a UNI 1 x 90°



Cover frame GT 32/44 15a UNI 2 x 45°

